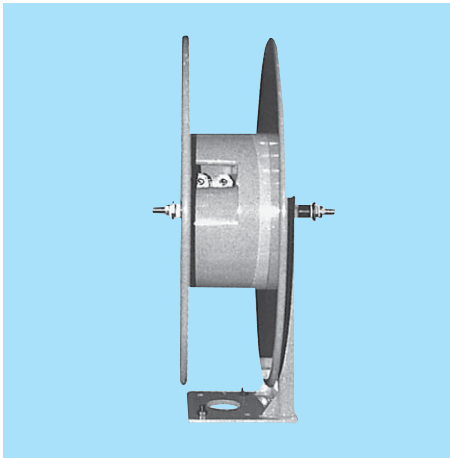


# WHR TYPE HOSE REEL

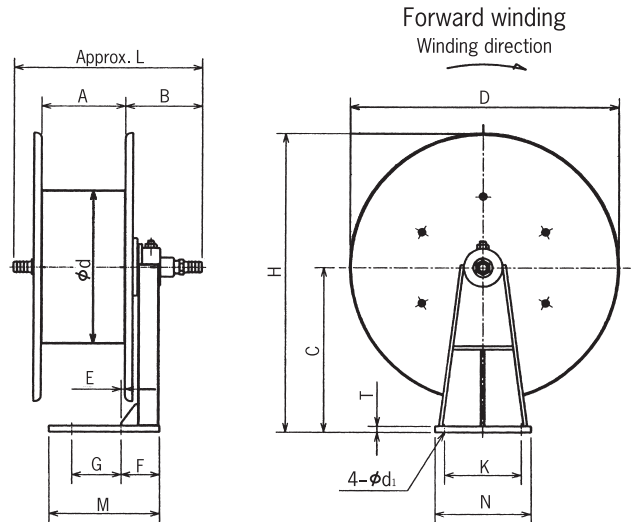
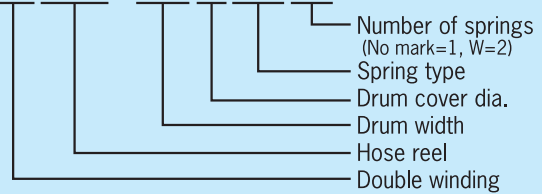
(Low pressure double winding)

- **Maximum Working pressure**  
 ...less than 1.5MPa{15kgf/cm<sup>2</sup>}  
 ※Not available for oxygen or acetylene.



## Model description

### WHR-3A516W



## Specifications and Dimensions

Model	Max Torque N·m(kgf·m)	Max spring tension N(kgf)	Max spring turns n	Connection size Rc	Dimensions (mm)															Mass (kg)
					D	d	A	B	C	H	L	E	G±1	K±1	M	N	F	T	d1	
WHR-2A305	4.9(0.5)	49( 5.0)	20	3/8	350	200	110	102	215	390	249	22.5	65	100	145	125	68.0	8	9	10
WHR-3A409	8.8(0.9)	73( 7.5)	19	3/8	440	230	110	102	260	480	249	22.5	65	100	145	125	68.0	8	9	12
WHR-3A516	15.6(1.6)	132(13.5)	13	1/2	510	230	110	106	300	555	267	22.5	65	100	160	150	73.5	8	9	17
WHR-3A516W	15.6(1.6)	132(13.5)	26	1/2	510	230	110	106	300	555	303	22.5	65	100	160	150	73.5	8	9	20

NOTE: Only forward winding is available.

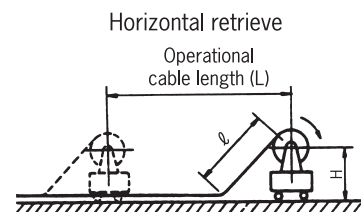
## Max operational cable length (Mobile application/Horizontal & vertical retrieve, Stationary application/Vertical retrieve)

Model	Outside dia.	Operational cable length (L) (m)			
		φ 14	φ 17	φ 20	φ 23
WHR-2A305		9	6	4	
WHR-3A409		15	11	7	
WHR-3A516			11	11	9
WHR-3A516W		20	16	11	

NOTE: 1. Calculated at following conditions:

- ① Fluid..... Air
- ② Working pressure..... 1.0MPa (10kgf/cm<sup>2</sup>)
- ③ Application..... Mobile application/Horizontal & vertical retrieve, Stationary application/Vertical retrieve
- ④ Maximum travel/lift ... less than 30mm/min

2. Deviations due to roller guides, non-straight cable payout, low ambient temperature, etc. are not calculated. When selecting a model, please take into consideration of high mechanical stress and harsh environment conditions.



Vertical retrieve      Vertical retrieve

