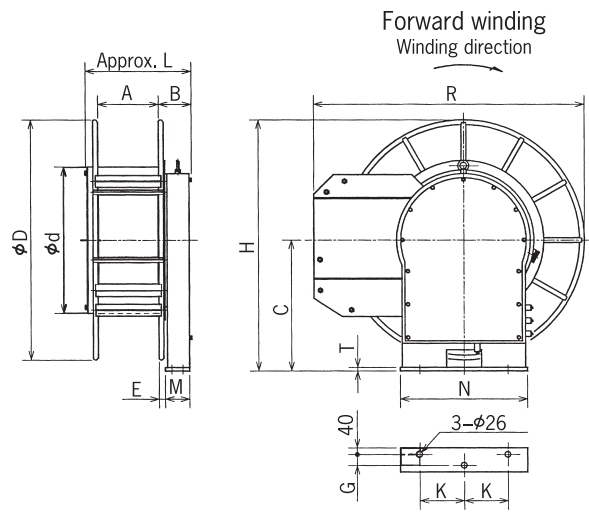


# HYDRAULIC MOTOR CABLE REEL

● Protective structure ..... Approx.IP54



## Model description

### CRD-8A9L-OM10

- Motor capacity
- Drive system (OM-Oil Motor)
- Drum cover dia.
- Drum width
- Drum type
- Cable reel

## Dimensions (Rated voltage AC600)

Model	Dimensions (mm)															Mass (kg)
	D	d	A	B	C	H	L	R	E	G	K	M	N	T		
CRD-8A9L-OM10 150A×4P	1100	670	306	130	620	1170	535	1230	37	50	200	120	580	16	270	
CRD-8A10L-OM12 150A×4P	1250	670	306	130	650	1275	535	1380	37	50	200	120	580	16	280	
CRD-8LA11L-OM20 200A×4P	1500	750	306	170	780	1530	662	1615	39	140	220	210	630	16	310	

- NOTE:1.No upside down setting is allowed.  
2.For any special requirements, please contact us.

## Max operational cable length (Mobile application/Horizontal retrieve)

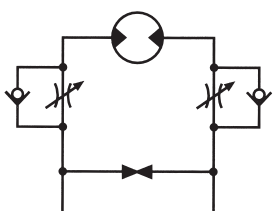
(units: mm)

Model	Type	3PNCT		2PNCT		3PNCT		3PNCT		2PNCT		3PNCT		3PNCT	
		Size	Weight	Size	Weight	Size	Weight	Size	Weight	Size	Weight	Size	Weight	Size	Weight
		22mm <sup>2</sup> ×4C	2.07kg/m	38mm <sup>2</sup> ×4C	2.55kg/m	38/14mm <sup>2</sup> ×3/1C	2.54kg/m	38mm <sup>2</sup> ×4C	3.02kg/m	60mm <sup>2</sup> ×4C	4.02kg/m	50/14mm <sup>2</sup> ×3/1C	3.18kg/m	60mm <sup>2</sup> ×4C	4.69kg/m
		φ 35		φ 35		φ 38		φ 41		φ 44		φ 48		φ 51	
CRD-8A9L-OM10 150A×4P			100		100		80								
CRD-8A10L-OM12 150A×4P			130		130		110		80						
CRD-8LA11L-OM20 200A×4P								120		100		90		60	

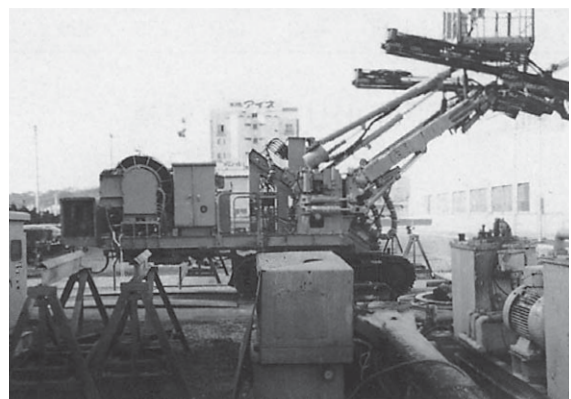
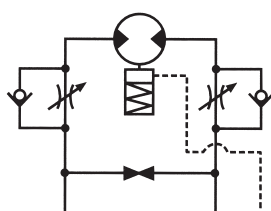
## Conditions

- Operating the hydraulic motor to forward and reverse make the cable wind and payout.
- When manual operation, please take into consideration of bypass circuit for hydraulic circuit.
- And brake type needs to release the brake to payout cable.

Without brake type



With brake type



- Cable reel without brake requires the cable fall-prevention construction
- Motor brake applies external pilot systems. (Braking release pressure is over 1MPa.)