

# ENDO

## Longer stroke

## Ratchet stopper

## Fall-arrest device



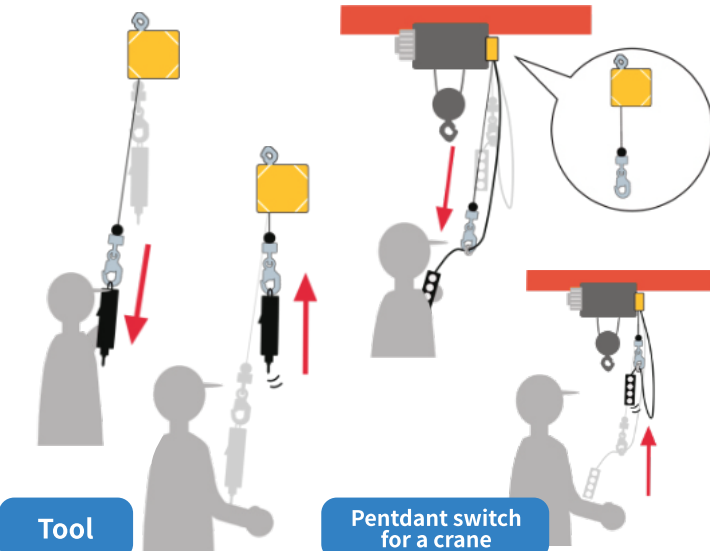
# Retractor

## ERM Series

### Various applications

1

Suspending various tools and equipment



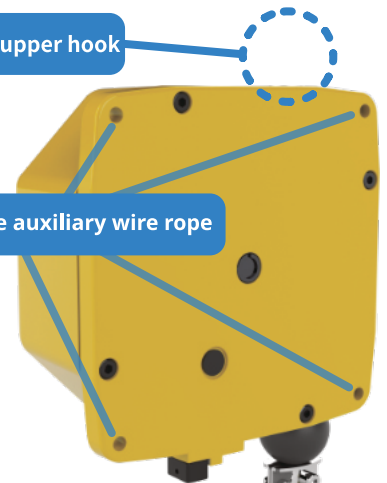
2

Using the spring tension as a driving force for the other application.

ERM's characteristic shape supports flexible installation.

Removable upper hook

Holes for the auxiliary wire rope



# Features



## Fall-arrest device

Fall-arrest device is equipped on ERM-4S, 6S and 8S models.

## Holes for the auxiliary wire rope

There are 4 holes for flexible installation. (4-φ5.5)

## Ratchet stopper

ERM is equipped with a ratchet stopper device. It stops the stroke and locks the suspension position. When you do not need the stopper function, you can turn it off with the switch on the bottom of the casing.

## Easy adjustment

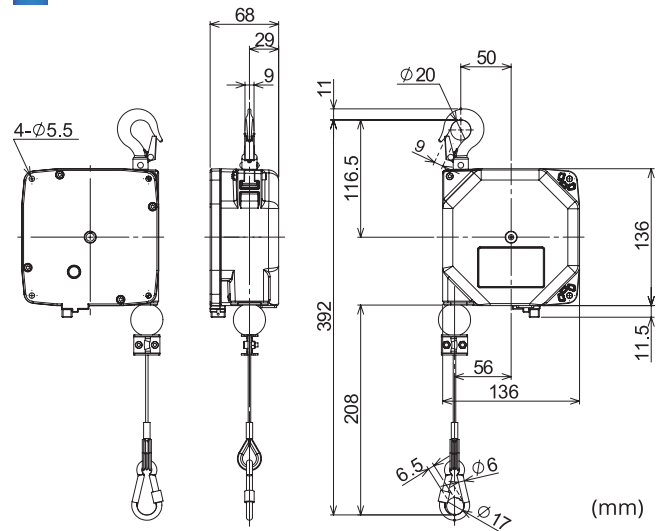
It needs only a Hex-key to adjust the spring tension.

## Specification

Model	Fall-arrest device	CE	Capacity (kg)	Wire rope travel (m)	Mass (kg)
ERM-2	-	✓	1.0-2.0	3.5*	1.8
ERM-4	-	-	2.0-4.0	3.5*	2.0
ERM-6	-	-	4.0-6.0	2.5*	2.0
ERM-8	-	-	6.0-8.0	2.5*	2.0
ERM-4S	✓	✓	2.0-4.0	3.5*	2.0
ERM-6S	✓	✓	4.0-6.0	2.5*	2.0
ERM-8S	✓	✓	6.0-8.0	2.5*	2.0

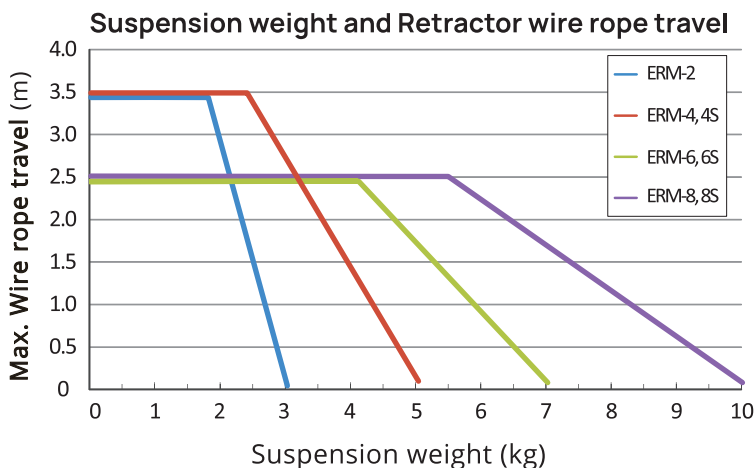
\*Wire rope travel is relative to the setting of the spring tension.

## Demension



## Wire rope travel

Maximum wire rope travel is relative to the setting of the spring tension.



This graph shows the wire rope travel from the factory set position. This graph is a reference for straight up and down operation.